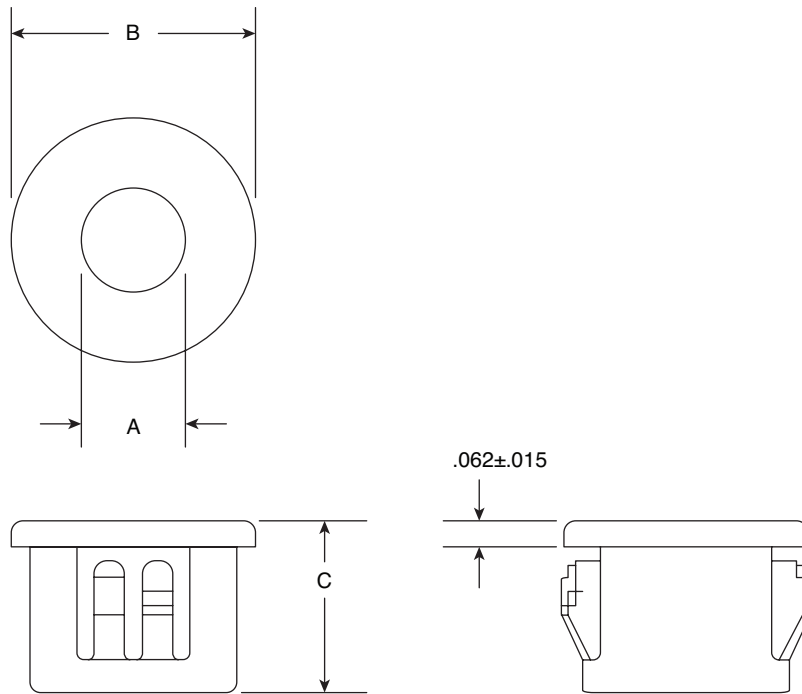


# STANDARD INSULATING BUSHINGS

561-MP2502, 561-MP3753, 561-MP3754, 561-MP4374, 561-MP4375,  
561-MP5004, 561-MP5005, 561-MP5006

Date Last Revised: 7/1/13

DIMENSIONS: in



Standard bushings are designed with multiple locks to positively snap in panels ranging from 1/32" to 1/8" thickness. Molded in heat stabilized Nylon UL94V2 black.

Part Number	Description	Inside Dia. A	Head Dia. B	Thickness C	Hole Dia.	Max. Thickness
561-MP2502	MP 2502	.125 (+.015)	.312 ( $\pm$ .015)	.312 ( $\pm$ .015)	.250	.062
561-MP3753	MP 3753	.187 (+.015)	.468 ( $\pm$ .015)	.406 ( $\pm$ .015)	.375	.125
561-MP3754	MP 3754	.250 (+.015)	.468 ( $\pm$ .015)	.406 ( $\pm$ .015)	.375	.125
561-MP4374	MP 4374	.250 (+.015)	.531 ( $\pm$ .015)	.406 ( $\pm$ .015)	.437	.125
561-MP4375	MP 4375	.312 (+.015)	.531 ( $\pm$ .015)	.406 ( $\pm$ .015)	.437	.125
561-MP5004	MP 5004	.250 (+.015)	.578 ( $\pm$ .015)	.406 ( $\pm$ .015)	.500	.125
561-MP5005	MP 5005	.312 (+.015)	.578 ( $\pm$ .015)	.406 ( $\pm$ .015)	.500	.125
561-MP5006	MP 5006	.375 (+.015)	.578 ( $\pm$ .015)	.406 ( $\pm$ .015)	.500	.125

RoHS Compliant